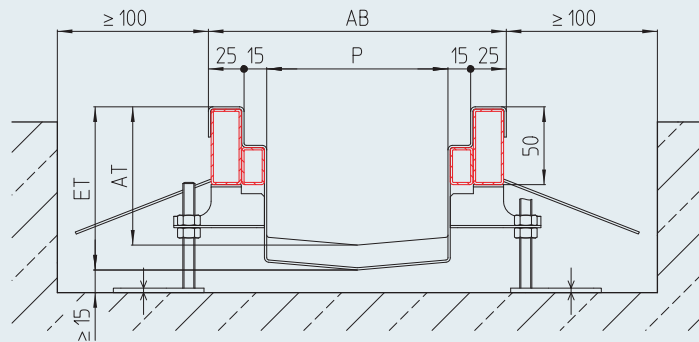


Industrial channel IKR

■ with welded/underwelded channel drain



ET = ED
AT = ID



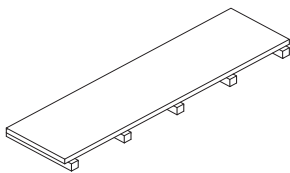
Channel model	P [mm]	AB [mm]	ID ⁷⁾	Fall	ED [mm]
IKR-070-150	70	150	60	0.6%	
IKR-090-170	90	170	60	0.6%	
IKR-120-200	120	200	60	0.6%	
IKR-170-250	170	250	60	0.6%	
IKR-220-300	220	300	60	0.6%	
IKR-320-400	320	400	60	0.6%	
IKR-420-500	420	500	60	0.6%	

Calculation ED: $ID + L1 \times 0,006$ [ID; ED; L1 in mm]

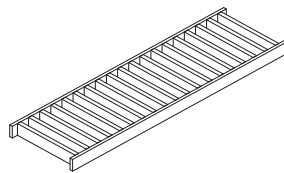
Grade

■ 1.4301 (AISI 304) ■ 1.4571 (AISI 316 Ti)¹⁾/1.4404 (AISI 316)

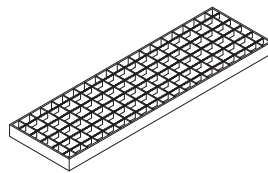
Cover variants



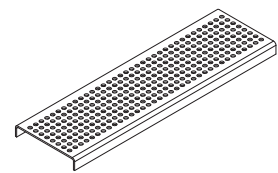
■ Plate cover M125



■ Bar grate cover M125

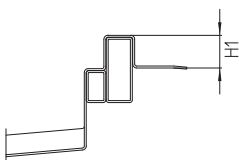


■ Grating

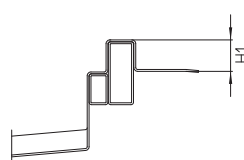


■ Plate cover

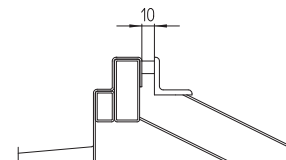
Floor connection (optional)



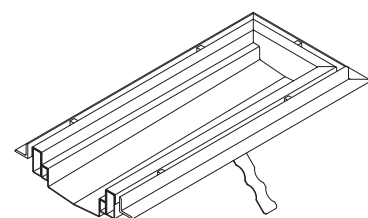
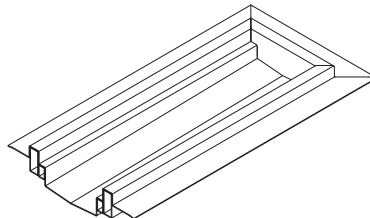
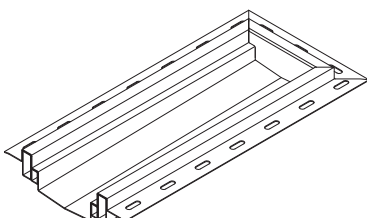
HFLALO Bonding flange, perforated¹¹⁾



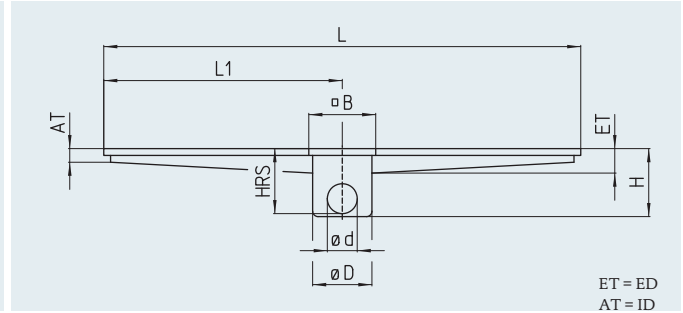
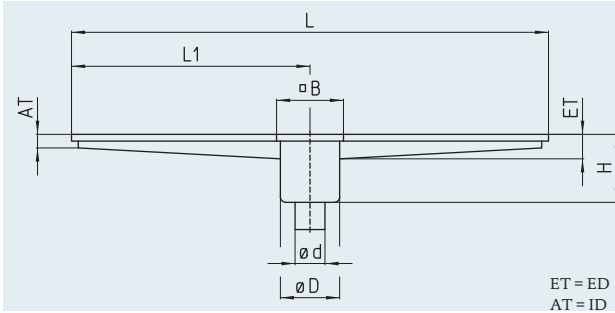
HF Bonding flange¹¹⁾



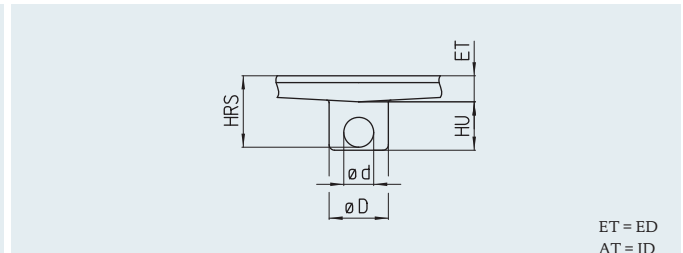
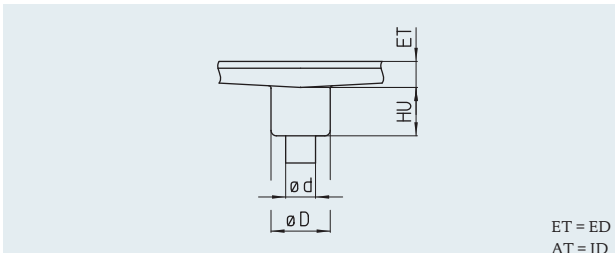
FAWI Tile connection angle



Channel drain ⁶⁾ – vertical – welded – single-part							Channel drain ⁶⁾ – horizontal – welded – single-part									
Model	DN	Ø d [mm]	Ø B [mm]	Ø D [mm]	H ⁹⁾ [mm]	to IKR-...	from IKR-...	Model	DN	Ø d [mm]	Ø B [mm]	Ø D [mm]	H ⁹⁾ [mm]	HRS ⁹⁾ [mm]	to IKR-...	from IKR-...
RBE DRS-070-E-S	70	75	180	153	280	70-150	-	RBE DRS-070-E-W	70	75	180	153	265	247	70-150	-
RBE DRS-100-E-S	100	110	246	218	300	170-250	-	RBE DRS-100-E-W	100	110	246	218	300	289	170-250	-
RBE DRS-150-E-S	150	160	310	283	355	220-300	-	RBE DRS-150-E-W	150	160	310	283	365	349	220-300	-



Channel drain ⁶⁾ – vertical – underwelded – single-part						Channel drain ⁶⁾ – horizontal – underwelded – single-part								
Model	DN	Ø d [mm]	Ø D [mm]	HU [mm]	to IKR-...	from IKR-...	Model	DN	Ø d [mm]	Ø D [mm]	HU [mm]	HRS [mm]	to IKR-...	from IKR-...
RBE DRS-070-S	70	75	153	161	-	170-250	RBE DRS-070-W	70	75	153	161	143	-	170-250
RBE DRS-100-S	100	110	218	195	-	220-300	RBE DRS-100-W	100	110	218	195	184	-	220-300
RBE DRS-150-S	150	160	283	235	-	320-400	RBE DRS-150-W	150	160	283	276	260	-	320-400



Description for use in tenders

Industrial channel, Model IKR, edge protection and internal grate support edge reinforced with rectangular stainless steel profile, the outer rectangular profile is 50 mm high to enable a better join. With wall anchors every 500 mm all round and U-shaped assembly supports for force-fit floor connection and adjustable height dowel installation feet every 1,000 mm. Fall 0.6 %. Channel available welded, not flanged, with welded / underwelded channel drain. Surface grain blasted.

Channel length:	L = mm						
Grade:	• 1.4301 [AISI 304]		• 1.4571 [AISI 316 Ti] ⁸⁾				
International width	• 70-150	• 90-170	• 120-200	• 170-250	• 220-300	• 320-400	• 420-500
Overall width:							
Cover:	• Plate cover, M125 • Grating MW25 Support rod 25/2RH		• Bar grate, M125 • Grating MW25 Support rod 25/3RH		• Plate cover, 3 mm • Grating MW25 Support rod 25/4RH		• Flap grate

Optional	Inlet rim:	• Bonding flange, perforated • Bonding flange	• Tile connection angle 30 x 30, perforated • Tile connection angle 30 x 30, unperforated	• other dimensions on request
	Assembly foot:	Assembly feet for positioning on sealing sheet		
	Fall:	• 1 %	• %	

Channel drain (For details please refer the floor drain catalog)			
Model:	• RBE DRS ...	• RSKE ... ¹⁰⁾	• RSK H ... ¹⁰⁾ • GKSE ... ¹⁰⁾
Nominal width:	• DN 70	• DN 100	• DN 150
Outlet:	• vertical		• horizontal

We will be pleased to provide a description for specific objects for use in tenders.

⁶⁾ further nominal widths on request ⁷⁾ if no data is given the initial depth ID is at least 60 mm ⁸⁾ all parts in contact with media in 1.4571 (AISI 316 Ti)
⁹⁾ valid when ≤ ED 100 mm; when ED > 100 mm H and HRS increase correspondingly ¹⁰⁾ see page on channel drains ¹¹⁾ wall anchors not needed