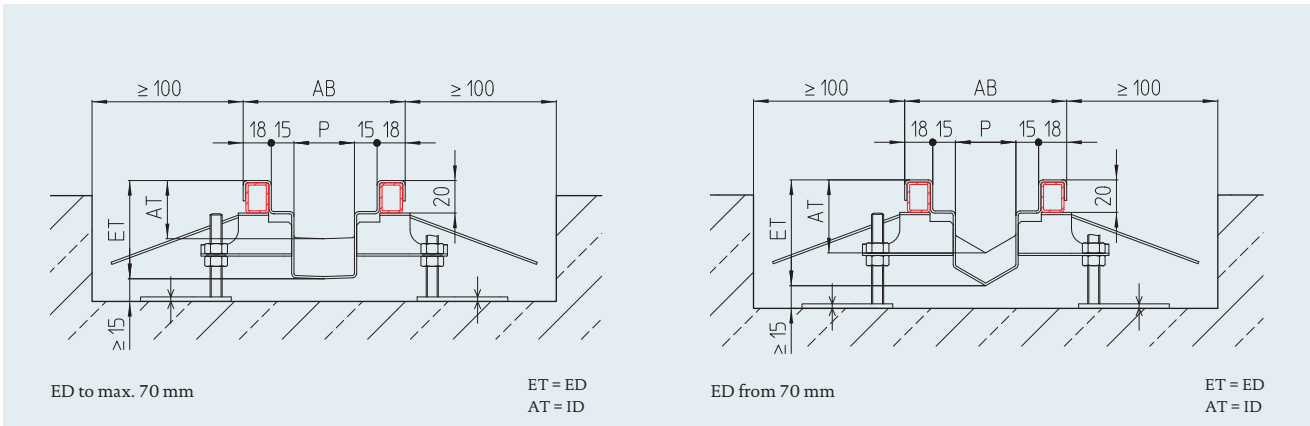
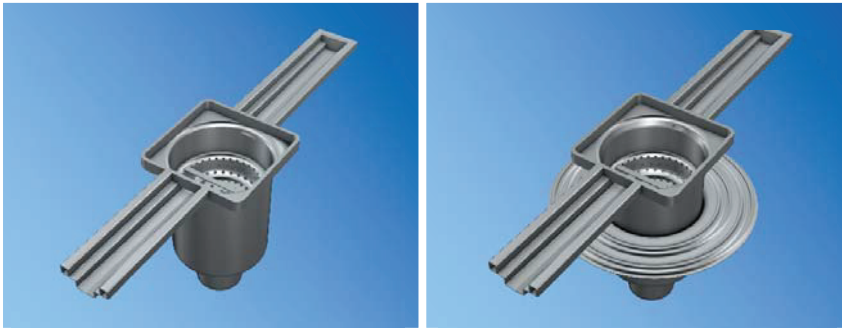


Vario channel VKR



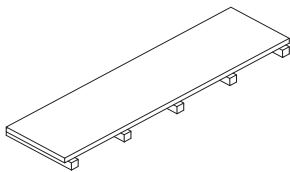
Channel model	P [mm]	AB [mm]	ID ⁷⁾	Fall	ED [mm]
VKR	40	106	40	0,6 %	max. 70
VKR	40	106	50	0,6 %	> 70

Calculation ED: $ID + L1 \times 0,006$ [ID; ED; L1 in mm]

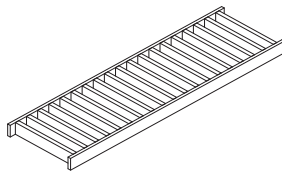
Grade

- 1.4301 (AISI 304)
- 1.4571 (AISI 316 Ti)¹⁾/1.4404 (AISI 316)

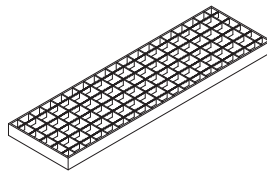
Cover variants



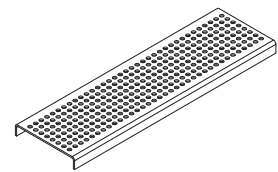
■ Plate cover M125



■ Bar grate cover M125

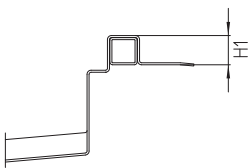


■ Grating cover

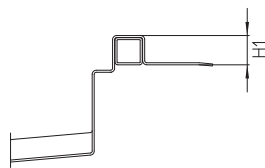


■ Plate cover

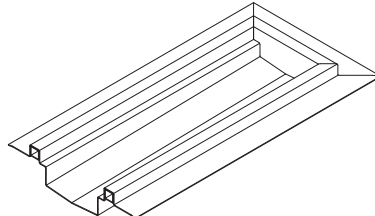
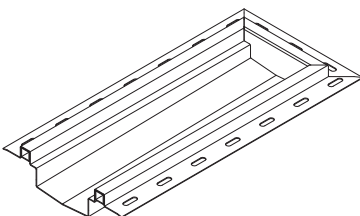
Floor connection (optional)



HFLALO Bonding flange, perforated¹⁾



HF Bonding flange¹⁾



Channel drain ⁶⁾ – vertical – single-part						Channel drain ⁶⁾ – horizontal – single-part						
Model	DN	Ø d [mm]	∅ B [mm]	Ø D [mm]	H ⁹⁾ [mm]	Model	DN	Ø d [mm]	∅ B [mm]	Ø D [mm]	H ⁹⁾ [mm]	HRS ⁹⁾
RBE DRS-070-E-S	70	75	180	153	280	RBE DRS-070-E-W	70	75	180	153	265	247
RBE DRS-100-E-S	100	110	246	218	300	RBE DRS-100-E-W	100	110	246	218	300	289
RBE DRS-150-E-S	150	160	310	283	355	RBE DRS-150-E-W	150	160	310	283	365	349

ET = ED
AT = ID

ET = ED
AT = ID

Channel drain ⁶⁾ – vertical – two-part						Channel drain ⁶⁾ – horizontal – two-part						
Model	DN	Ø d [mm]	∅ B [mm]	Ø D [mm]	H [mm]	Model	DN	Ø d [mm]	∅ B [mm]	Ø D [mm]	H [mm]	HRS [mm]
RBE H-070-E-S	70	75	180	153	129	RBE H-070-E-W	70	75	180	153	160	142
RBE H-100-E-S	100	110	246	218	178	RBE H-100-E-W	100	110	246	218	178	167
RBE H-150-E-S	150	160	310	283	209	RBE H-150-E-W	150	160	310	283	233	217

ET = ED
AT = ID

ET = ED
AT = ID

Description for use in tenders

Vario channel, Model VKR, internally mounted edge protection reinforced with rectangular stainless steel profile. With wall anchors every 500 mm all round and U-shaped assembly supports for force-fit floor connection and adjustable height dowel installation feet every 1,000 mm. 40 mm profile width and fall 0.6 %. Channel available welded, not flanged, with welded channel floor drain. Surface grain blasted.

Channel length:	L = mm		
Grade:	• 1.4301 [AISI 304]	• 1.4571 [AISI 316 Ti] ⁹⁾	
Cover:	• Plate cover, M125 • Grating MW25 Support rod 20/2RH	• Bar grate, M125 • Grating MW25 Support rod 20/3RH	• Plate cover, 3 mm • Grating MW25 Support rod 20/4RH

Optional	Inlet rim:	• Bonding flange, perforated • Bonding flange
	Assembly foot:	Assembly feet for positioning on sealing sheet (FT)

Channel drain (for details please refer the floor drain catalog)			
Model:	• RBE DRS ...	• RBE H ...	
Nominal width:	• DN 70	• DN 100	• DN 150
Outlet:	• vertical	• horizontal	

We will be pleased to provide a description for specific objects for use in tenders.

⁶⁾ further nominal widths on request ⁹⁾ all parts in contact with media in 1.4571 (AISI 316 Ti) ⁹⁾ valid when ≤ ED 100 mm; when ED > 100 mm H and HRS increase correspondingly
¹¹⁾ Wall anchors not needed