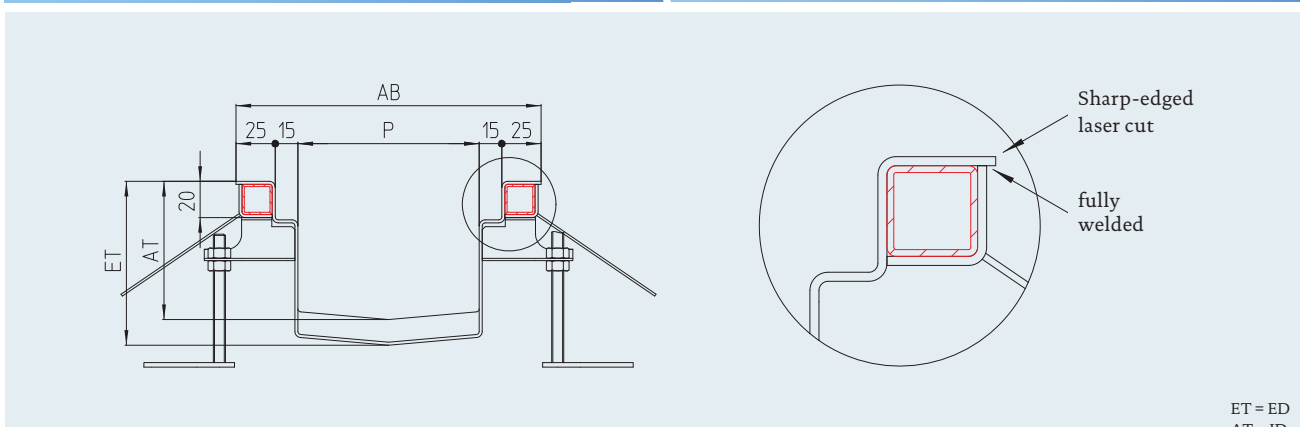
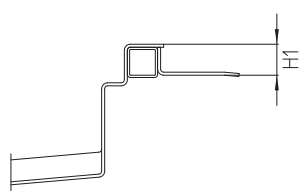


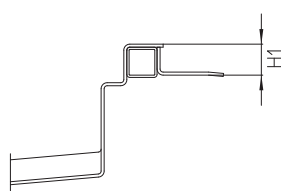
Commercial channel SKR-G



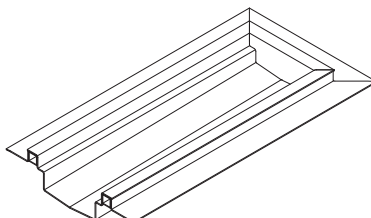
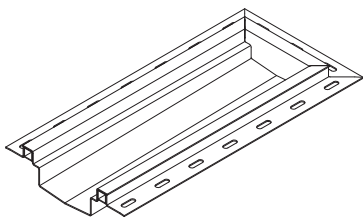
Floor connection



HFLALO Bonding flange, perforated¹¹⁾



HF Bonding flange¹¹⁾



Description for use in tenders

Commercial channel, Model SKR-G, edge protection reinforced on the inside with stainless steel rectangular profiles. Edge extensions as absolutely sharp edged laser cut without bending radius for optimal transition to the adjoining floor or grouting material. The visible edge is fully welded to the vertical side of the supporting angle. With all round wall anchors every 500 mm and U-shaped mounting racks for efficient floor bonding and adjustable height. Plug mounting feet every 1,000 mm. Interior transverse incline and fall 0.6%. Channel in welded, not in flanged design, with welded/underwelded channel floor drain. Surface grain blasted.

¹¹⁾ Wall anchors not required