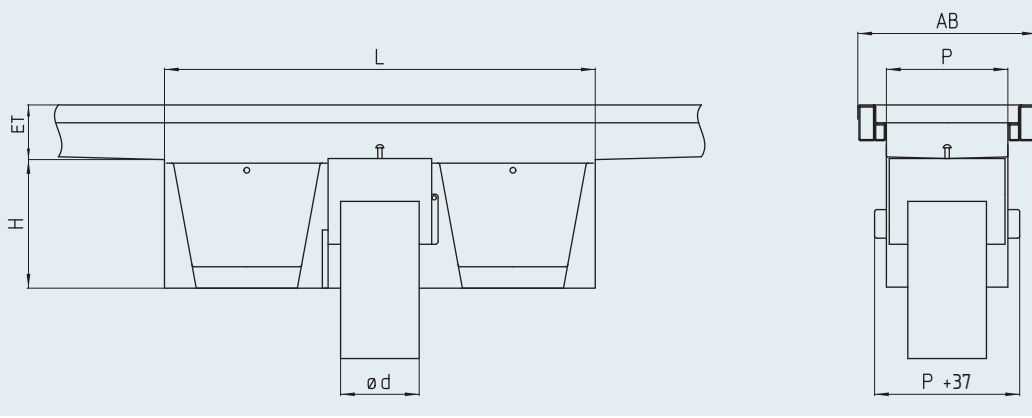




## Channel drain RSKE-MIT-S



ET = ED  
AT = ID

### Rinnensinkkasten - Mittig - senkrecht

Modell	Nenngröße DN	Ø d [mm]	Profil P [mm]	AB [mm]	L [mm]	H [mm]	Abflussleistung [l/s]	Schlammfangvolumen [l]
RSKE-090-070-MIT-S	70	75	90	170	600	180	> 1,5	2 x 1,8
RSKE-120-100-MIT-S	100	110	120	200	600	180	> 2,8	2 x 2,3
RSKE-170-100-MIT-S	100	110	170	250	600	180	> 2,8	2 x 4,1
RSKE-170-150-MIT-S	150	160	170	250	700	180	> 8,2	2 x 4,1
RSKE-220-100-MIT-S	100	110	220	300	600	180	> 2,8	2 x 5,0
RSKE-220-150-MIT-S	150	160	220	300	800	210	> 8,2	2 x 7,4
RSKE-220-200-MIT-S	200	200	220	300	1000	250	> 12,5	2 x 8,7
RSKE-320-150-MIT-S	150	160	320	400	800	210	> 8,2	2 x 11,3
RSKE-320-200-MIT-S	200	200	320	400	1000	250	> 12,5	2 x 15
RSKE-320-250-MIT-S	250	250	320	400	1000	280	> 20,2	2 x 15
RSKE-420-300-MIT-S	300	315	420	500	1050	280	> 29,8	2 x 19,7

### Description for use in tenders

Channel drain, single-part, Model RSKE, according to EN 1253, centrally welded in the channel. With liftable air trap and two large stainless steel silt boxes. Edge protection reinforced with an internally mounted, welded rectangular profile and channel edge. Floor connection as channel, vertical runoff support. Surface grain blasted.

Nominal width:	• DN 70	• DN 100	• DN 150	• DN 200	• DN 250	• DN 300
Grade:	• 1.4301 [AISI 304]		• 1.4571 [AISI 316 Ti] <sup>8)</sup>			
Cover:	• Plate cover, M125 • Grating MW25 Support rod 25/2RH		• Bar grate, M125 • Grating MW25 Support rod 25/3RH		• Plate cover, 5 mm • Grating MW25 Support rod 25/4RH	
Opt. Air trap:	• Plug-in bell air trap		• Removable standpipe with bell air trap		• Welded standpipe lockable using a spindle	

We will be pleased to provide a description for specific objects for use in tenders.

<sup>8)</sup> all parts in contact with media in 1.4571 (AISI 316 Ti)