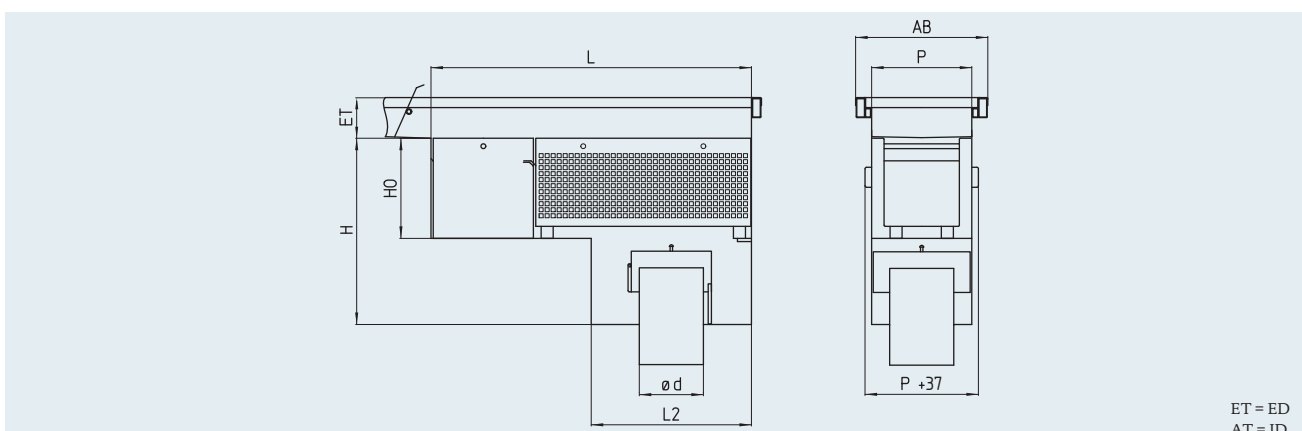
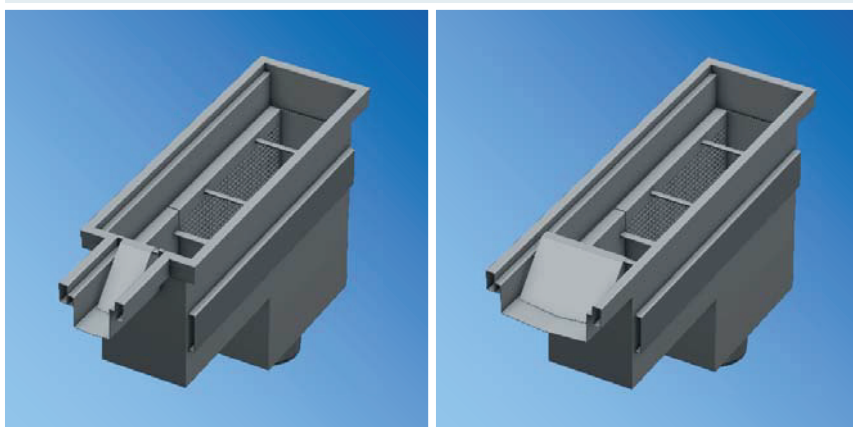


## Large-Cork-Glass-Label drain GKSE-END-S



### Large-Cork-Glass-Label drain - end - vertical

Model	Nominal size DN	Ø d [mm]	Profil P [mm]	AB [mm]	L [mm]	L2 [mm]	H [mm]	HO [mm]	Flow rate [l/s]	Label trap vol. [l]	Glass trap vol. [l]
GKSE-220-100-END-S	100	110	220	300	765	400	465	250	> 2.8	12.5	9.7
GKSE-220-150-END-S	150	160	220	300	765	400	465	250	> 8.2	12.5	9.7
GKSE-320-100-END-S	100	110	320	400	825	450	535	300	> 2.8	29.6	18.9
GKSE-320-150-END-S	150	160	320	400	825	450	535	300	> 8.2	29.6	18.9
GKSE-320-200-END-S	200	200	320	400	825	450	535	300	> 12.5	29.6	18.9
GKSE-420-250-END-S	250	250	420	500	1000	600	560	300	> 20.2	51.7	30.9
GKSE-420-300-END-S	300	315	420	500	1000	600	560	300	> 29.8	51.7	30.9

### Description for use in tenders

Large-Cork-Glass-Label drain, single-part, Model GKSE, according to EN 1253, welded at the end of the channel. With a foldable end air trap, a large glass trap and a stainless steel trap for corks and labels. A shut-off flap on the channel inlet prevents large pieces slipping in when the baskets are removed. Edge protection reinforced with an internally mounted, welded rectangular profile and channel edge. Floor connection as channel. Vertical runoff support. Surface grain blasted.

Nominal width:	• DN 100	• DN 150	• DN 200	• DN 250	• DN 300
Grade:	• 1.4301 [AISI 304]		• 1.4571 [AISI 316 Ti] / 1.4404 (AISI 316) <sup>8)</sup>		
Cover:	• Plate cover, M125 • Grating MW25 Support rod 25/2RH		• Bar grate, M125 • Grating MW25 Support rod 25/3RH		• Plate cover, 5 mm • Grating MW25 Support rod 25/4RH
Opt. Air trap:	• Plug-in bell air trap		• Removable standpipe with bell air trap		• Welded standpipe lockable using a spindle trap

We will be pleased to provide a description for specific objects for use in tenders.

<sup>8)</sup> all parts in contact with media in 1.4571 (AISI 316 Ti)