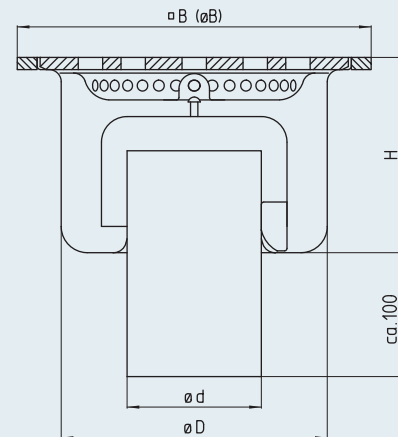


Industrial floor drain – single-part 97-S – vertical



Model	DN	Ø d [mm]	Ø B [mm]	Ø B [mm]	Ø D [mm]	H [mm]	Silt box volume [l]	Flow rate [l/s]	Fire protection ³⁾ optional
97-070-E-S	70	75	290	-	218	138	0.5	> 1.5	-
97-070-RD-S	70	75	-	257	218	138	0.5	> 1.5	-
97-100-E-S	100	110	290	-	218	160	0.5	> 2.8	R90
97-100-RD-S	100	110	-	257	218	160	0.5	> 2.8	R90

Inlet rim

- square
- round

Grade

- 1.4301 (AISI 304)
- 1.4571 (AISI 316 Ti)¹⁾

Description for use in tenders

Industrial floor drain, single-part, Model 97, according to EN 1253. To achieve a high self-cleansing effect, the bottom of the housing has large and deep-drawn inside radius. Welded standpipe with maintenance-free air trap in without sealing ring an flat cage in stainless steel. Vertical outlet. Surface grain blasted/pickled.

Nominal width:	• DN 70	• DN 100
Grade:	• 1.4301 [AISI 304]	• 1.4571 [AISI 316 Ti] ¹⁾
Cover:	• Plate cover with holes, M125	
Inlet rim:	• square	• round
Silt box:	• without	
Fire protection:	• R90	

Optional

We will be pleased to provide a description for specific objects for use in tenders.

¹⁾ If grade 1.4571 is used (AISI 316Ti) some components may be made of grade 1.4404 (AISI 316) for construction reasons ³⁾ Installation conditions for fire protection on request