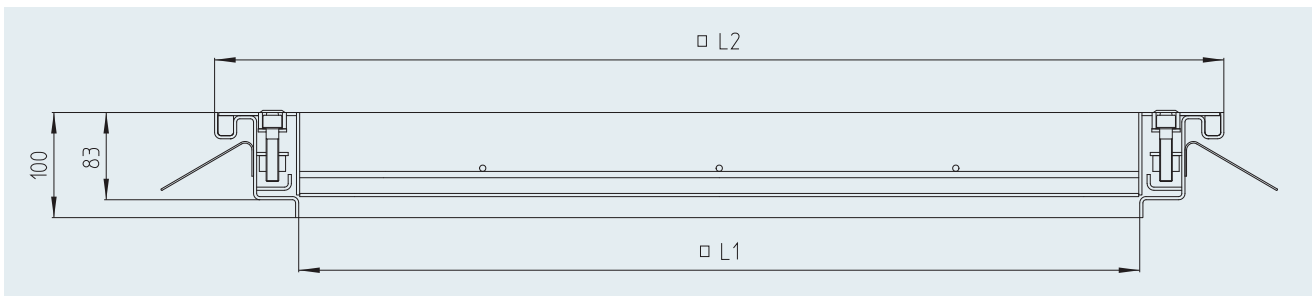
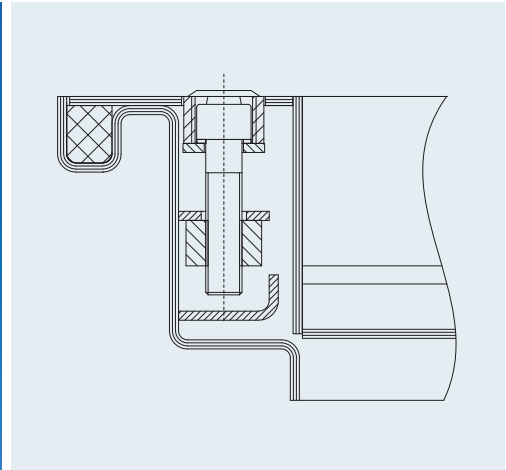




Manhole SA-E-BTF



Model	Nominal size	L1 [mm]	L2 [mm]	Frame height [mm]
SA-E-BTF-600	600	600	760	83/100
SA-E-BTF-800	800	800	960	83/100
SA-E-BTF-1000	1000	1000	1160	83/100

Load class

- 50 kN

Grade

- 1.4301 (AISI 304)
- 1.4571 (AISI 316 Ti)¹⁾

Description for use in tenders

Manhole, for surfaces of your choice, in square design, load class 50kN, test force according to DIN EN 124 and DIN 1229, Model SA-E-BTF. Available in smell and waterproof design with overhead silicone seal. Simple locking by means of fret-proof M12 VA/ brass screw and nut combination, with screw-in lifting lugs. Cover and frame are made of 3 mm plate, cover as closed tray with welded reinforcement bars. Surface grain blasted.

Nominal size: • 600 x 600 mm • 800 x 800 mm • 1000 x 1000 mm • x mm

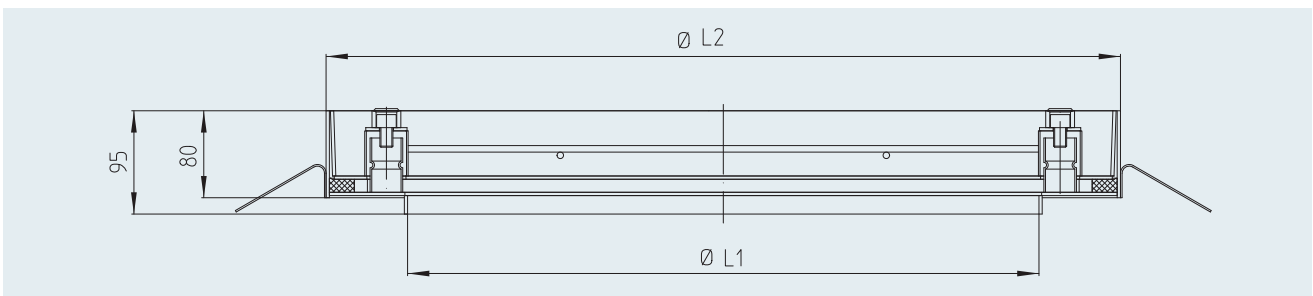
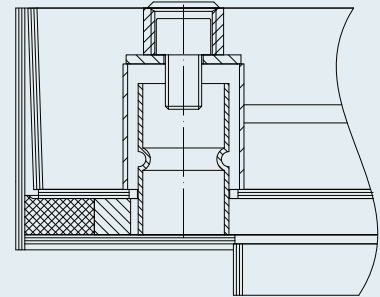
Grade: • 1.4301 (AISI 304) • 1.4571 (AISI 316 Ti)¹⁾

Opt. Flange variants: • Attachment flange • Bonding flange • Adhesive flange, t = 3.0 mm

We will be pleased to provide a description for specific objects for use in tenders.

¹⁾ If grade 1.4571 (AISI 316Ti) is used, some components may be made of grade 1.4404 (AISI 316) for construction reasons.

Manhole SA-RD-BTF



Model	Nominal size	Ø L1 [mm]	Ø L2 [mm]	Frame height [mm]
SA-RD-BTF-600	600	580	730	80/95
SA-RD-BTF-800	800	780	930	80/95
SA-RD-BTF-1000	1000	980	1130	80/95

Load class

- 50 kN

Grade

- 1.4301 (AISI 304)
- 1.4571 (AISI 316 Ti)¹⁾

Description for use in tenders

Manhole, for surfaces of your choice, in round design, load class 50kN, test force according to DIN EN 124 and DIN 1229, Model SA-RD-BTF. Available in smell and waterproof design with bottom-mounted silicone seal. Simple locking by means of fret-proof M12 VA/brass screw and nut combination, with screw-in lifting lugs. Cover and frame made of 3 mm plate, cover as closed tray with welded reinforcement bars. Surface grain blasted.

Nominal size: • 600 mm • 800 mm • 1000 mm • mm

Grade: • 1.4301 (AISI 304) • 1.4571 (AISI 316 Ti)¹⁾

Opt.

Flange variants: • Attachment flange • Bonding flange • Adhesive flange, t = 3.0 mm

We will be pleased to provide a description for specific objects for use in tenders.

¹⁾ If grade 1.4571 (AISI 316Ti) is used, some components may be made of grade 1.4404 (AISI 316) for construction reasons.