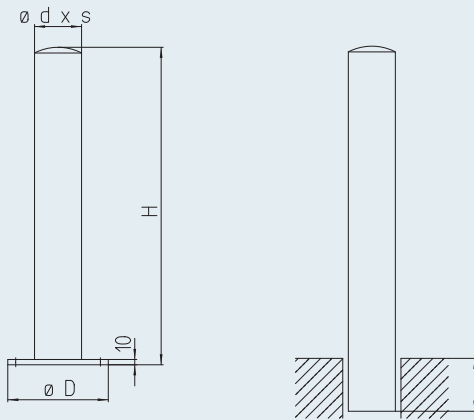




Crash protection post RP



Model	$\varnothing d$ [mm]	s [mm]	$\varnothing D$ [mm]
RP-60	60.3	2.0	160
RP-90	88.9	2.0	190
RP-114L	114.3	2.0	225
RP-114S	114.3	3.0	225

Grade

■ 1.4301 (AISI 304) ■ 1.4571 (AISI 316 Ti)¹⁾

Description for use in tenders

Crash protection post, Model RP, made of stainless steel pipe. With a curved end cap and a round, 10 mm²³⁾ thick base plate with 3 holes for fastening. Surface grain blasted.

Grade:	• 1.4301 [AISI 304]	• 1.4571 (AISI 316 Ti) ¹⁾		
Height:	• 600 mm	• 800 mm	• 1000 mm	• mm
End cap:	• as bevel cut			
Surface:	• pickled			
Base plate:	• none, for mounting in core bores			
Fastening:	• with 3 reaction anchors, threaded bolts and cap nuts			
Other optional equipment:	• with concrete filling • other pipe \varnothing or wall thicknesses on request			

We will be pleased to provide a description for specific objects for use in tenders.

¹⁾ If grade 1.4571 (AISI 316Ti) is used, some components may be made of grade 1.4404 (AISI 316) for construction reasons. ²³⁾ for RP-60 and RG-60 8 mm thick