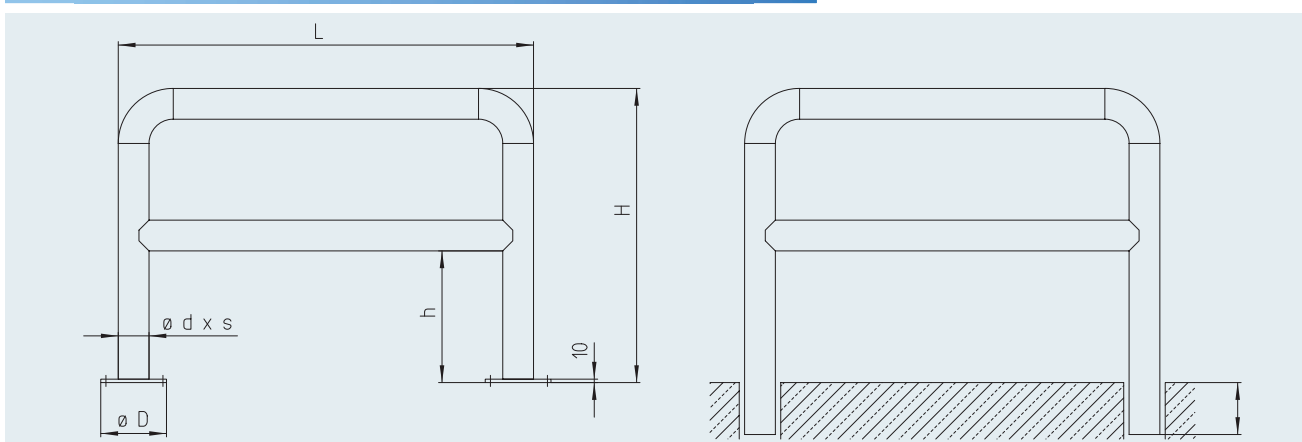


Crash protection rail RG



Model	$\varnothing d$ [mm]	s [mm]	$\varnothing D$ [mm]
RG-60	60.3	2.0	160
RG-90	88.9	2.0	190
RG-114L	114.3	2.0	225
RG-114S	114.3	3.0	225

Grade

- 1.4301 (AISI 304) ■ 1.4571 (AISI 316 Ti)¹⁾

Description for use in tenders

Crash protection rail, Model RG, made of stainless steel pipe. With welded pipe bends and cross rail. Two base plates, round, 10 mm²³⁾ thick, each with 3 mounting holes. Surface grain blasted.

Grade:	• 1.4301 [AISI 304]	• 1.4571 (AISI 316 Ti) ¹⁾
Height:	• 600 mm	• 800 mm
		• 1000 mm
		• mm
Length:	• mm	
Optional	Cross rail:	• UK for mm • without cross rail
	Surface:	• pickled
	Base platen:	• none, for mounting in core bores en
	Fastening:	• with 6 reaction anchors, threaded bolts and cap nuts
	Other optional equipment:	• with concrete filling (no cross rail) • crash protection rails continued round the corner • other pipe \varnothing or wall thicknesses on request

We will be pleased to provide a description for specific objects for use in tenders.

¹⁾ If grade 1.4571 (AISI 316Ti) is used, some components may be made of grade 1.4404 (AISI 316) for construction reasons. ²³⁾ for RP-60 and RG-60 8 mm thick