



## Crash protection profile RSE

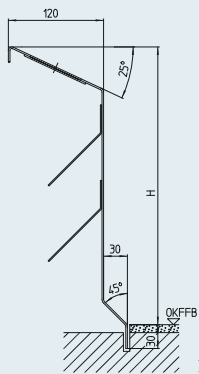
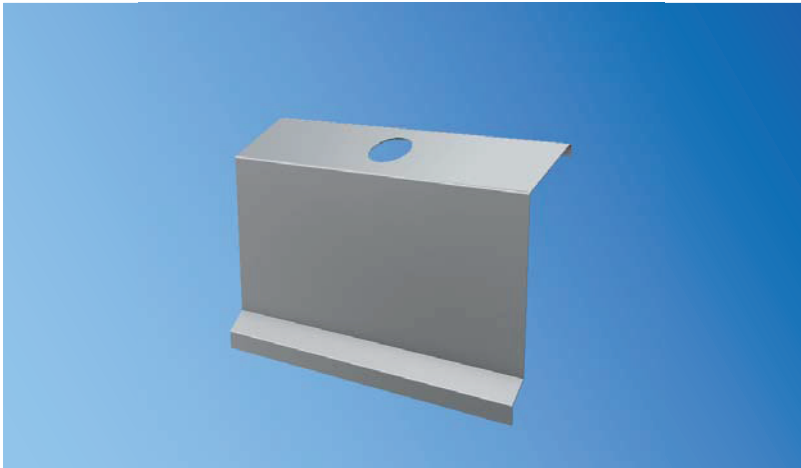


Fig. 1

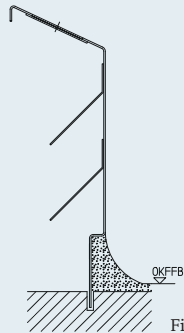


Fig. 2

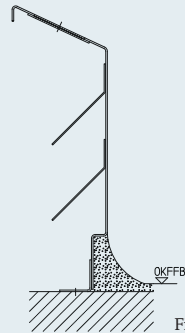


Fig. 3

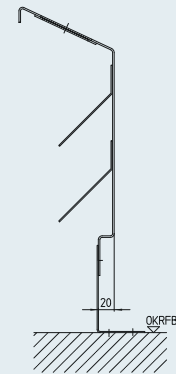


Fig. 4

### Description for use in tenders

Stainless steel crash protection profile Model RSE, welded, not flanged. Made of 2.0 mm metal plate, for wall mounting, 350 mm high and 120 mm deep. With filling openings for subsequent mortar grouting. With inside wall anchors, upper edge inclined at an angle less than 25°, incl. suspension rails made of AlMg3. Supplied lengths 3,000 – 6,000 mm. Ground grain surface 240.

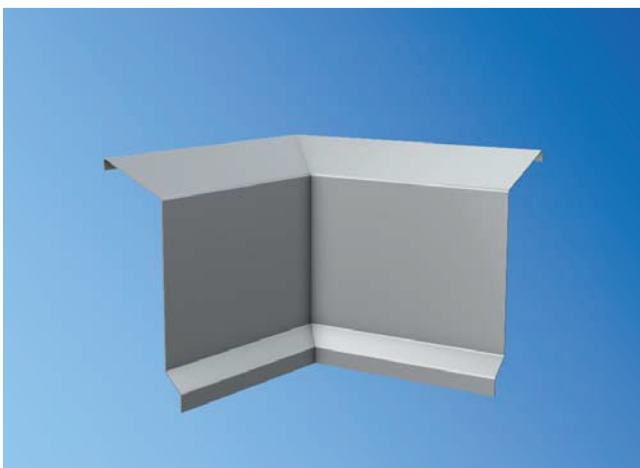
Length:	• ..... metre.
Grade:	• 1.4301 (AISI 304)      • 1.4571 (AISI 316 Ti) <sup>1)</sup>
Numbers inside corners:	• ..... Units
Numbers outside corners:	• ..... Units
Numbers door endings:	• ..... Units
Lid fill openings:	• welded and pickled      • welded and ground      • glued-in
Floor connection:	<ul style="list-style-type: none"> <li>• lower connection as 45° fillet with vertical floor attachment 30 mm in the floor slot provided on site (Fig. 1)</li> <li>• with tilt-back and floor attachment for floor slot and fillet to be provided on site (Fig. 2)</li> <li>• with AlMg3 tilt-back and floor angle for fillet to be provided on site (Fig. 3)</li> <li>• with AlMg3 tilt-back and floor angle for height adjustment for fillet to be provided on site (Fig. 4)</li> </ul>
Height:	• ..... mm
Grade thickness:	• ..... mm
Nos drainage connections:	• ..... Units      (welded sleeve tube DN 50 – as duct for washbasin drain or drip water piping)
Other optional equipmenen:	<ul style="list-style-type: none"> <li>• AlMg3 floor rails for attachment to unfinished floors</li> <li>• Flat wall shelf behind the opened sliding door</li> </ul>

Optional

We will be pleased to provide a description for specific objects for use in tenders.

<sup>1)</sup> If grade 1.4571 (AISI 316Ti) is used, some components may be made of grade 1.4404 (AISI 316) for construction reasons.

## Crash protection profile RSE



### Inside corner

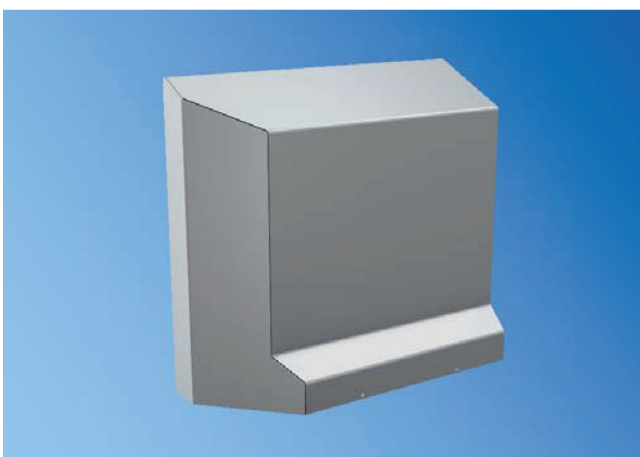
Inside corner for stainless steel crash protection profile Model RSE as mitre cut design. Weld seam pickled.



### Outside corner

Inside corner for stainless steel crash protection profile Model RSE as mitre cut design. Weld seam pickled.

Corner design: • under 45° design • designed as mitre cut



### End piece

End piece for stainless steel crash protection profile Model RSE as welded cover plate. Weld seam pickled.

Design: • under 45° design • under 90° design



### Drainage connection

Drainage connection as sleeve tube DN 50 for clean lead through building without any hygienically problematic places in the floor area.