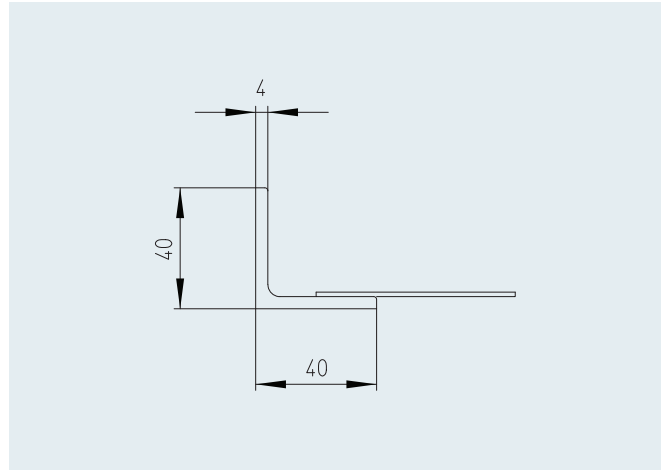


Tile connecting element FA-01



Description for use in tenders

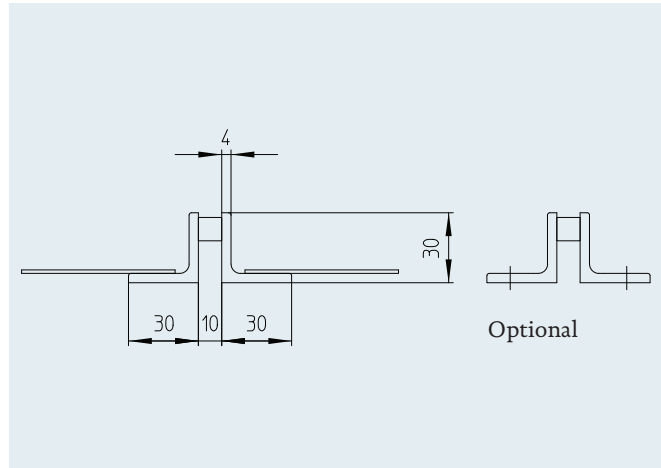
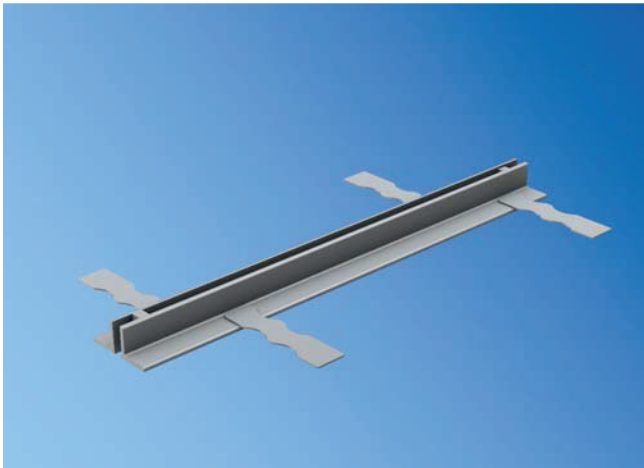
Tile connecting element Model FA-01 for setting in concrete. Side lengths 40 x 40 mm – horizontal sides with wall anchors every 500 mm, thickness of material 4.0 mm. Surface untreated.

| | | | |
|---------------|---------------------|--------------------------------------|--------------------|
| Grade: | • 1.4301 (AISI 304) | • 1.4571 (AISI 316 Ti) ¹⁾ | |
| Side lengths: | • 30 x 30 mm | • 50 x 50 mm | • x mm |
| Surface: | • grain blasted | | |

Optional

We will be pleased to provide a description for specific objects for use in tenders.

Building expansion joint profile BD-01



Description for use in tenders

Building expansion joint profile Model BD-01 for setting in concrete, consisting of two parallel angles. Side lengths 30 x 30 mm – horizontal sides with wall anchors every 500 mm, thickness of material 4.0 mm. Angles supplied with break-out (to be done on site) spacers. Surface untreated.

| | | | |
|--------------------|-------------------------|--------------------------------------|--------------------|
| Grade: | • 1.4301 (AISI 304) | • 1.4571 (AISI 316 Ti) ¹⁾ | |
| Side lengths: | • 40 x 40 mm | • 50 x 50 mm | • x mm |
| Attachment method: | • with holes for screws | | |
| Surface: | • grain blasted | | |

Optional

We will be pleased to provide a description for specific objects for use in tenders.

¹⁾If grade 1.4571 (AISI 316Ti) is used, some components may be made of grade 1.4404 (AISI 316) for construction reasons.